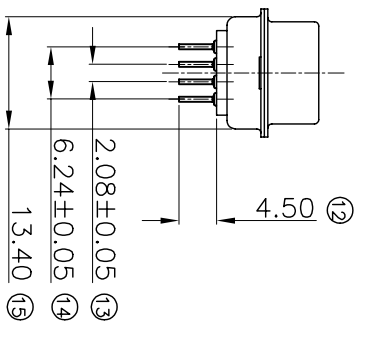
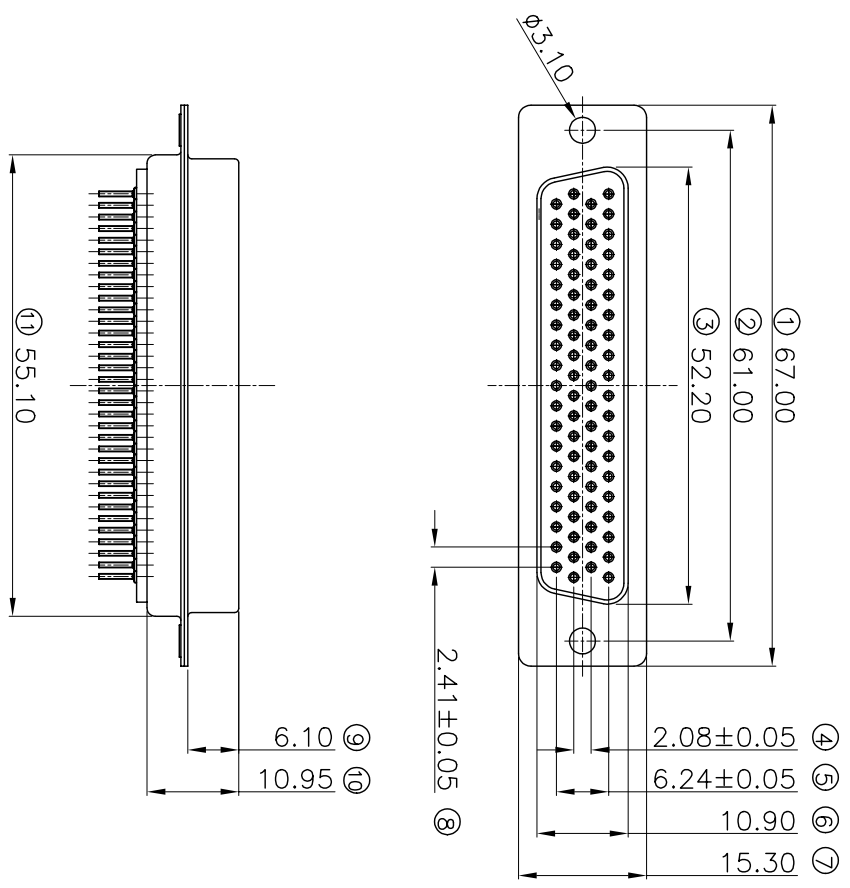


REV	MODIFICATION	DATE	DRAW	APPROVE
A	NEW DWG	07/08/10	HUANG	KEVIN

NOTES
 1: MATERIAL:
 HOUSING: PBT+30%GF, BLACK, UL94V-0
 CONTACT: BRASS/PHOSPHOR BRONZE
 2: FINISH:
 CONTACT PLATING: 100μ" TIN-LEAD OVER
 50μ" NICKEL.
 3: SPECIFICATION:
 CURRENT RATING: 5A
 WITHSTANDING VOLTAGE: AC 1000V 1MINUTE
 INSULATION RESISTANCE: 1000MΩ 500V DC
 OPERATING TEMPERATURE: -55°C~105°C



UNLESS OTHERWISE SPECIFIED 公差參考表		TITLE: 產品名稱: HDDP 0.76 78P FEMALE 成品	
X.X ±0.25	X.X° ±3°	APPD: 核准: KEVIN	PRODUCT NO: 產品編號: 164-078FBXP01
X.XX ±0.15	X.XX° ±1°	CHECK: 校對: TENA	DATE
X.XXX ±0.05	X.XXX° ±0.5°	DRAW: 繪圖: HUANG	SCALE UNIT TYPE PAGE

1	2	3	4	5	6	7	8	9	10
A	B	C	D	E	F	G			